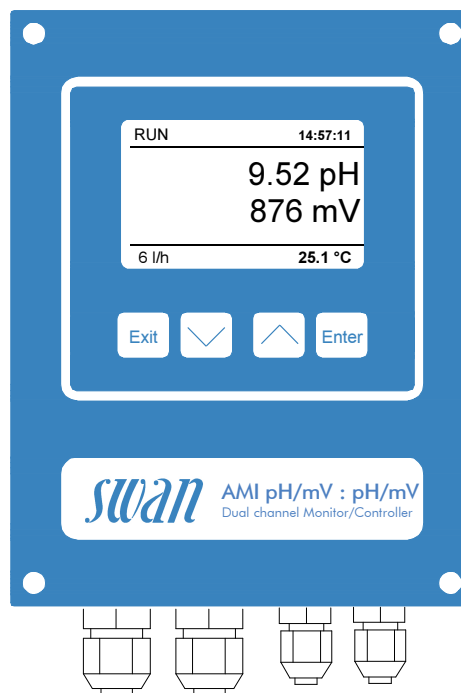


Dual channel electronic transmitter / controller for the continuous measurement of the pH value and Redox (ORP) in water.

Transmitter AMI pH/mV:pH/mV

- Measuring and control transmitter in a rugged aluminum enclosure (IP 66).
- Measuring range:
0 to 14 pH respectively -500 to +1500 mV
- Sensor connections for two combined pH and/or ORP sensors.
- Sensor connections for one or two NT5K temperature sensors
- Sensor connection for a digital sample flow meter, e.g. Swan Level Detector, Swan deltaT- or QV-Flow meter.
- Galvanically separated sensor connections.
- Automatic temperature compensations according to Nernst with or without correction functions.
- Values for pH buffer solutions and redox calibration solution programmable.
- Big backlit LC display for the reading of measuring value, sample temperature, sample flow, and operating status.
- Easy user menus in English, German, French, Spanish and Italian. Simple programming of all parameters by keypad.
- Electronic record of major process events and calibration data.
- Real-time clock for time stamp in data logs and for automated functions.
- Data logger for 1'500 data records stored at a selectable interval. (Data download to PC requires optional HyperTerminal interface).
- Overvoltage protection for in- and outputs.
- Two current outputs (0/4 - 20 mA) for measured signals.
- Potential-free alarm contact as summary alarm indication for programmable alarm values and for instrument faults.
- Two potential-free contacts programmable as limit switch or PID-control.
- Input for potential-free contact to freeze the measuring value or to interrupt control in automated installations (hold function or remote-off).



Order Nr.	Transmitter AMI pH/mV:pH/mV AC	A-11.412.100
	Transmitter AMI pH/mV:pH/mV DC	A-11.412.200
Option:	<input type="checkbox"/> 3 rd current signal output (0/4 – 20mA)	A-81.420.050
	<input type="checkbox"/> Profibus DP & Modbus RTU interface (RS-485)	A-81.420.020
	<input type="checkbox"/> USB interface	A-81.420.042
	<input type="checkbox"/> HART interface	A-81.420.060

pH / ORP Measurement

Signal inputs galvanically separated.
Input resistance: $> 10^{13} \Omega$

pH measurement

Measuring range: 0.00 to 14.00 pH
Resolution: 0.01 pH
Reference temperature: 25 °C

Automatic temperature compensation according to Nernst.

ORP measurement

Measuring range: -500 to +1500 mV
Resolution: 1 mV

Calibration solutions table

Programmable table for pH buffers and ORP calibration solution.

Sensor monitoring

Indication of glass breakage and line disconnection.

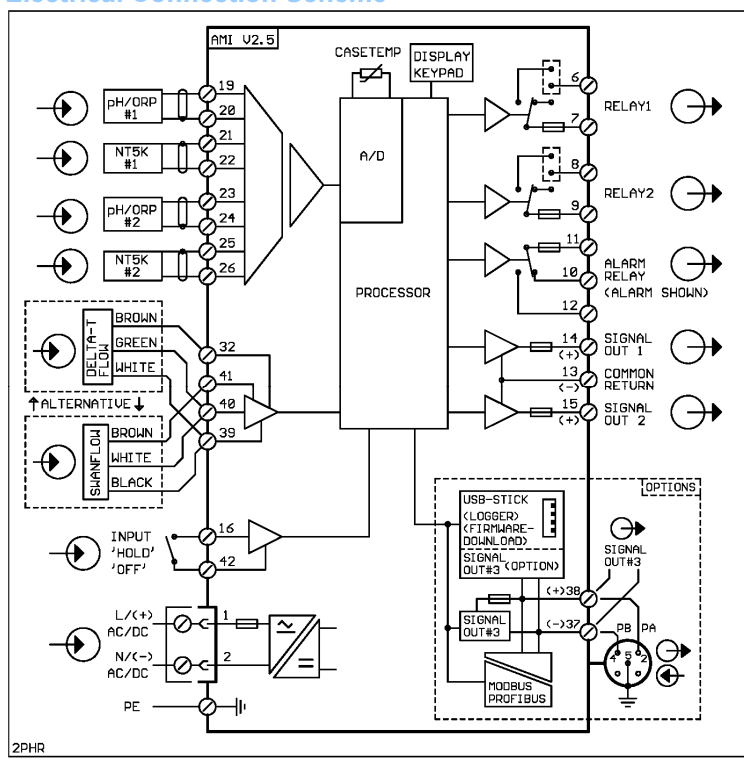
Temperature measurement

with SWAN NT5K sensor.
Measuring range: -30 to +130 °C
Resolution: 0.1 °C

Sample flow measurement

with digital sample flow meter.

Electrical Connection Scheme



Transmitter Specifications and Functionality

Electronics case: Cast aluminum
Protection degree: IP 66 / NEMA 4X
Display: backlit LCD, 75 x 45 mm
Electrical connectors: screw clamps
Dimensions: 180 x 140 x 70 mm
Weight: 1.5 kg
Ambient temperature: -10 to +50 °C
Humidity: 10 - 90 % rel., non cond.

Power supply

Voltage:
AC version: 100 - 240 VAC (± 10 %),
50/60 Hz (± 5 %)
DC version: 10–36 VDC
Power consumption: max. 35 VA

Operation

Easy operation based on separate menus for "Messages", "Diagnostics", "Maintenance", "Operation" and "Installation".
User menus in English, German, French and Spanish.
Separate menu specific password protection.
Display of process value, sample flow, alarm status and time during operation.

Storage of event log, alarm log and calibration history.

Storage of the last 1'500 data records in logger with selectable time interval.

Real-time clock with calendar

For action time stamp and preprogrammed actions.

Safety features

No data loss after power failure, all data is saved in non-volatile memory.
Overvoltage protection of in- and outputs. Galvanic separation of measuring inputs and signal outputs.

Transmitter temperature monitoring
with programmable high/low alarm limits.

1 Alarm relay

One potential free contact for summary alarm indication for programmable alarm values and instrument faults.
Maximum load: 1A / 250 VAC

1 Input

One input for potential-free contact.
Programmable hold or remote off function.

2 Relay outputs

Two potential-free contacts programmable as limit switches for measuring values, controllers or timer for system cleaning with automatic hold function.
Max. load: 1A / 250 VAC

2 Signal outputs (3rd optional)

Two programmable signal outputs for measured values (freely scalable, linear or bilinear) or as continuous control output (control parameters programmable) as current source. 3rd signal output selectable as current source or current sink.
Current loop: 0/4 - 20 mA
Maximum burden: 510 Ω

Control functions

Relays or current outputs programmable for 1 or 2 pulse dosing pumps, solenoid valves or for one motor valve.
Programmable P, PI, PID or PD control parameters.

1 Communication interface (option)

- RS485 interface (galvanically separated) with Fieldbus protocol Modbus RTU or Profibus DP
- 3rd Signal output interface
- USB interface
- HART interface