

Complete monitoring system for the automatic, continuous measurement of total organic carbon (TOC) in pure and high purity water.

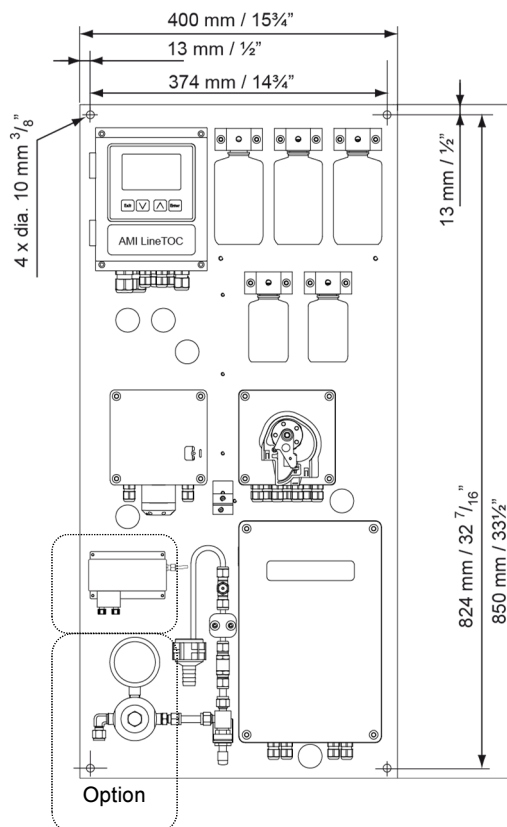
## Monitor AMI LineTOC

Complete system mounted on stainless steel mounting panel:

- **Transmitter AMI LineTOC** in a rugged aluminum enclosure (IP 66).
- **Analyzing unit** with reagent free UV oxidation, two high precision two-wire conductivity electrodes made of stainless steel with integrated NTC temperature probe for automatic temperature compensation.
- 3-Channel **Peristaltic pump** with automatic dilution of standard solution (performance check).
- **Grab sample** measurement
- Continuous **sample flow** detection.
- Factory tested, ready for installation and operation.

### Specifications:

- Measurement range: TOC: 0 to 1'000 ppb
- System suitability test according to USP<643>.
- Big backlit LC display for the reading of measuring value, sample temperature, sample flow, temperature compensation type and operating status.
- Easy user menus in English, German, French and Spanish. Simple programming of all parameters by keypad.
- Electronic record of major process events and calibration data.
- Data logger for 1'500 data records stored at a selectable interval.
- Programmable, automatic sensor check (verification) using concentrated, durable standard and internal dilution.
- Two current outputs (0/4 - 20 mA) for measured signals.



### Options:

- Communication interface.
- Inlet Pressure Regulator.
- Sample Cooler.

Order Nr.	Monitor AMI LineTOC AC	A-23.612.100
Option 1:	<input type="checkbox"/> 3 <sup>rd</sup> current signal output (0/4 – 20mA) <input type="checkbox"/> Profibus DP & Modbus RTU interface (RS-485) <input type="checkbox"/> USB interface <input type="checkbox"/> HART interface	A-81.420.050 A-81.420.020 A-81.420.042 A-81.420.060
Option 2:	<input type="checkbox"/> Inlet Pressure Regulator	A-82.589.000
Option 3:	<input type="checkbox"/> Sample Cooler LineTOC	A-82.300.010

**TOC Measurement**

**Analyzing method;** reagent free UV oxidation, differential conductivity.

Reaction time < 2 min.

**Swansensor TOCON** with integrated NT5K temperature sensor.

**UV Emitter**

Lifetime 6 months  
depending on application: up to 12 months

Power 11 W

**Measuring range**

0.1 to 1'000 ppb TOC

**Resolution**

0.1 ppb

0.1 to 50 ppb  
50 to 1'000 ppb

**Reproducibility**

± 1 ppb

± 2 %

0.055 to 2 µS/cm (20°C)

**Precision**

+ - 2%

Periodic accuracy test with ultra high precision resistors.

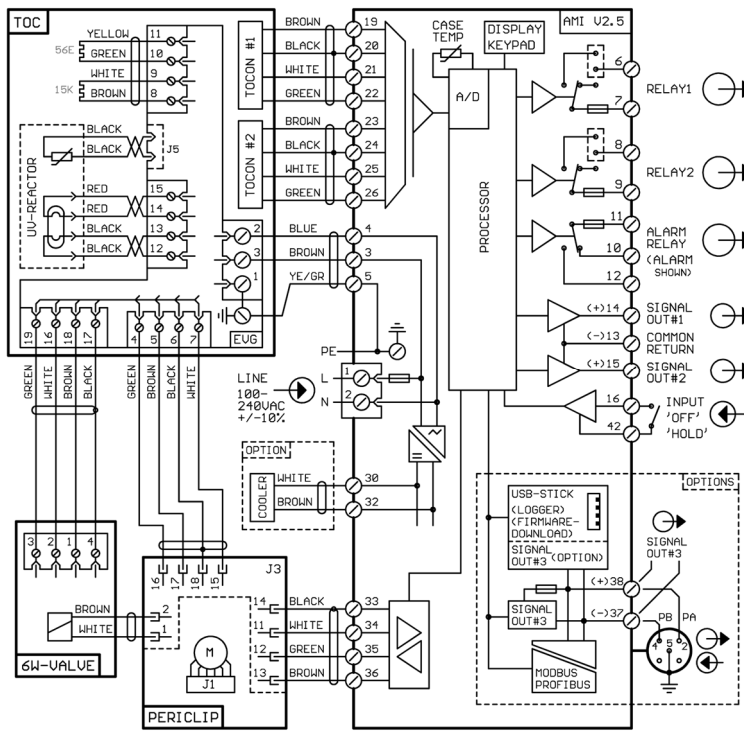
Automatic sensor check (verification) using concentrated, durable standard and internal dilution.

**System Suitability Test** according to USP<643> and Ph.Eur.2.2.44.

Automatic Temperature compensation

Sample flow detection.

**Electrical Connection Scheme**



**Transmitter Specifications and Functionality**

Electronics case: Cast aluminum  
Protection degree: IP 66 / NEMA 4X  
Display: backlit LCD, 75 x 45 mm  
Electrical connectors: screw clamps  
Dimensions: 180 x 140 x 70 mm  
Weight: 1.5 kg  
Ambient temperature: -10 to +50°C  
Humidity: 10 - 90% rel., non condensing

**Power supply**

Voltage: 100 - 240 VAC (± 10%),  
50 /60 Hz (± 5%)

Power consumption: max. 55 W

**Operation**

Easy operation based on separate menus for "Messages", "Diagnostics", "Maintenance", "Operation" and "Installation". User menus in English, German, French and Spanish.

Separate menu specific password protection.

Display of process value, alarm status and time during operation.

Storage of event log, alarm log and calibration history.

Storage of the last 1'500 data records in logger with selectable time interval (not suitable for Pharma).

**Safety features**

No data loss after power failure, all data is saved in non-volatile memory.

Overvoltage protection of in- and outputs. Galvanic separation of measuring inputs and signal outputs.

**Transmitter temperature monitoring** with programmable high/low alarm limits.

**1 Alarm relay**

One potential free contact for summary alarm indication for programmable alarm values and instrument errors.  
Maximum load: 1A / 250 VAC

**1 Input** for potential-free contact.

Programmable hold or remote off function.

**2 Relay outputs**

Two potential-free contacts programmable as limit switches for measuring values, controllers or timer with automatic hold function.  
Rated load: 1A / 250 VAC

**2 Signal outputs (3<sup>rd</sup> as option)**

Two programmable signal outputs for measured values (freely scalable, linear or bilinear) or as continuous control outputs (control parameters programmable) as current source. 3<sup>rd</sup> signal output selectable as current source or current sink.  
Current loop: 0/4 - 20 mA  
Maximum burden: 510 Ω

**1 Communication interface (option)**

- RS485 interface (galvanically separated) with Fieldbus protocol Modbus RTU or Profibus DP
- 3<sup>rd</sup> Signal output
- USB
- HART

**Monitor Data**

**Sample conditions**

Flow rate: 1 to 5 l/h  
Temperature: 10 to 40 °C  
with Sample Cooler (Option): up to 90°C  
Inlet pressure<sub>Abs.</sub> (25 °C): up to 1.5 bar  
with Pressure Regulator : up to 5 bar  
Outlet pressure: pressure free  
Conductivity: 0.055 to 2 µS/cm  
Particle size: < 100 µm  
No sand, no oil

**Sample connections**

Sample inlet: Swagelok ¼" tube adapter  
Sample outlet: G ½" adapter  
for flexible tube Ø 20 x 15 mm

**Panel**

Dimensions: 400 x 850 x 180 mm  
Material: stainless steel  
Total weight: 18 kg