

Standard electrodes for water technology

Swansensor pH and Redox

Application in drinking water and swimming pools.

Maintenance-free pH resp. ORP/redox electrode in mechanically and chemically inert plastic case (IP 68) with excellent life time.

Poisoning protected Ag/AgCl-reference system.

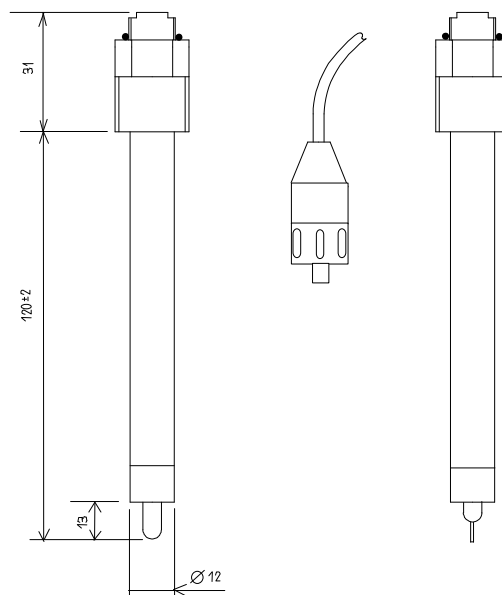
Clogging of the reference system by insoluble silver compounds is eliminated by a AgCl-free electrolyte.

Specifications pH:

- Operative and measuring range: 1 ... 13 pH
- Diaphragm: annular gap
- Reference system: Ag/AgCl
- Electrolyte: KCl-gel, 3.5 M (without AgCl)
- Operating temperature: 0 ... 50 °C
- Pressure: < 2 bar
- Conductivity measuring medium: > 150 µS/cm
- Case material: isotactic polypropylene, PPO
- Connection: plug PG 13.5
- Weight: 40 g

Specifications ORP:

- Electrode with platinum pin
- Measuring range ORP: - 400 ... + 1200 mV
- Diaphragm: annular gap
- Reference system: Ag/AgCl
- Electrolyte: KCl-gel, 3.5 M (without AgCl)
- Operating temperature: 0 ... 50 °C
- Pressure: < 2 bar
- Conductivity measuring medium: > 150 µS/cm
- Case material: isotactic polypropylene
- Connection: plug PG 13.5
- Weight: 40 g



SWAN Analytical Instruments AG warrants this SWANSENSOR to be free from all defects for one year from the date of purchase.

Order scheme	Swansensor pH/Redox	A-87.		20.200
---------------------	----------------------------	--------------	--	---------------

Parameter:	pH	1
	ORP/redox	4