

Sensor for the measurement of the specific conductivity. Four electrode design with integrated temperature sensor.

Swansensor Shurecon S

For applications in surface water, potable water and cooling water.
Unaffected by fouling. No measuring errors due to polarization effects. Sterilizable.

Sensor with plug. For the use together with the SWAN conductivity transmitters AMI Solicon4 and AMU Solicon4.

Specifications:

Recommended conductivity range:

0.1 $\mu\text{S/cm}$ - 100 mS/cm

Accuracy:

$\pm 1\%$ or $\pm 0.2 \mu\text{S/cm}$
whichever is greater

Cell constant k:

0.45 cm^{-1}

Temperature sensor type:

Pt1000, DIN class A

Operating conditions:

- Max. temperature: 120°C at 6.5 bar
- Max. pressure: 12 bar at 20°C
- Sterilizable at: 120°C / 5 bar / 30 min.

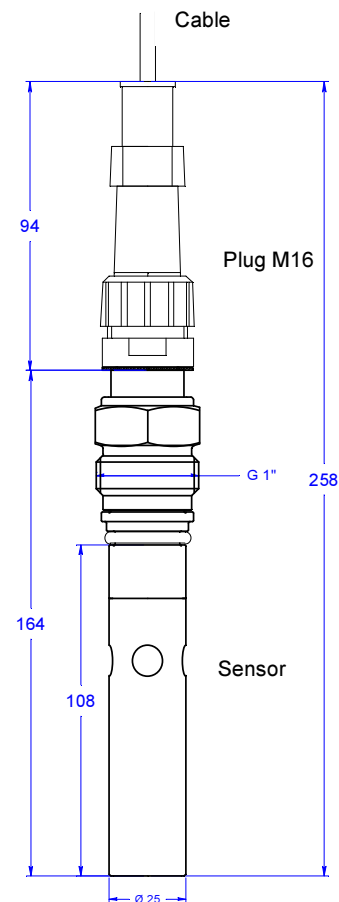
Materials:

- Body: PPSU
- Shaft: stainless steel SS 316L
- Current electrodes: SS 316L
- Isolation: PEEK
- Voltage electrodes: Platinum
- Cover: PVDF

Electrical connection: Plug M16 male (IP 67)

Process connection: G 1" thread

Free space around sensor tip: 20 mm



Sensor with cable (not included)

Order number	Swansensor Shurecon S	A - 8 7 . 3 4 1 . 0 0 0
---------------------	------------------------------	--------------------------------

Accessories:

- A-88.175.X20 Cable with M16 connector and end sleeves, available in lengths of 1 m, 5 m, 15 m or 25 m
- A-83.910.110 Welding connector, G 1" thread, $\varnothing 38$ mm, length 55 mm, 60 °, stainless steel
- A-83.438.330 Flow cell M-Flow G1 (details please see the separate data sheet no. DenA83438330)