

Monitor for continuous measurement of pH or redox (ORP) in potable water and effluents.

Monitor AMI pH/Redox M-Flow

Complete system mounted on PVC panel:

- **Transmitter AMI pH/Redox** in a rugged aluminum enclosure (IP 66).
- **Flow cell M-Flow 10-3PG** include a Pt1000 temperature sensor and optional sensor cleaning.
- Factory tested, ready for installation and operation.

For use with combined sensors with reference electrodes for various sample conditions:

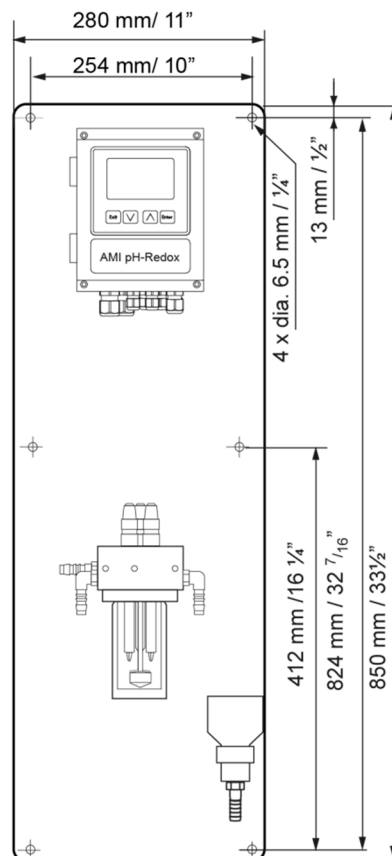
- **Swansensor pH- & ORP Standard** (combined electrode with gel electrolyte)
- **Swansensor pH- & ORP AY** (combined electrode with gel electrolyte)

Optional:

- Spray nozzle for sensor cleaning
- Swansensor deltaT for flow detection

Specifications:

- Measuring ranges: 1 to 13 pH
respectively -400 to +1200 mV
- Simultaneous measurement of pH or redox, sample temperature and sample flow.
- Big backlit LC display for the reading of measuring value, sample temperature, sample flow (option) and operating status.
- Easy user menus with simple programming of all parameters by keypad.
- Two current outputs (0/4 - 20 mA) for measured signals (3rd output optional).



Order Nr.	Monitor AMI pH/Redox M-Flow AC	A-21.221.050
	Monitor AMI pH/Redox M-Flow DC	A-21.222.050
Option:	[] 3 rd current signal output (0/4 - 20mA)	A-81.420.050
	[] Profibus DP & Modbus RTU interface (RS-485)	A-81.420.020
	[] USB interface	A-81.420.042
	[] HART interface	A-81.420.060
Option:	[] Swansensor pH Standard	A-87.120.200
	[] Swansensor pH AY	A-87.130.200
	[] Swansensor ORP Standard	A-87.420.200
	[] Swansensor ORP AY	A-87.430.200
Option:	[] Swansensor deltaT Flow	A-87.933.010
Option:	[] Spray nozzle for sensor cleaning	A-83.491.120

pH/ORP Measurement

Signal input galvanically separated
Input resistance: > 10¹³ Ω

pH measurement
with Swansensor ST/AY

Measuring range: pH 1 to 13
Resolution: 0.01 pH
Reference temperature: 25 °C
Automatic temperature compensation according to Nernst.

ORP measurement

with Swansensor ST/AY
Measuring range: -400 to 1200 mV
Resolution: 1 mV

Calibration solutions table

Programmable table for pH buffers and ORP calibration solution.

Temperature measurement

Measuring range: -30 to +130 °C
Resolution: 0.1 °C

Transmitter Specifications and Functionality

Electronics case: Cast aluminum
Protection degree: IP 66 / NEMA 4X
Display: backlit LCD, 75 x 45 mm
Electrical connectors: screw clamps
Dimensions: 180 x 140 x 70 mm
Weight: 1.5 kg
Ambient temperature: -10 to +50 °C
Humidity: 10 - 90% rel., non condensing

Power supply

Voltage:
AC version: 100 - 240 VAC (± 10 %),
50/60 Hz (± 5 %)
DC version: 10-36 VDC
Power consumption: max. 35 VA

Operation

Easy operation based on separate menus for "Messages", "Diagnostics", "Maintenance", "Operation" and "Installation".

User menus in English, German, French and Spanish.

Separate menu specific password protection.

Display of process value, sample flow, alarm status and time during operation. Storage of event log, alarm log and calibration history.

Storage of the last 1'500 data records in logger with selectable time interval.

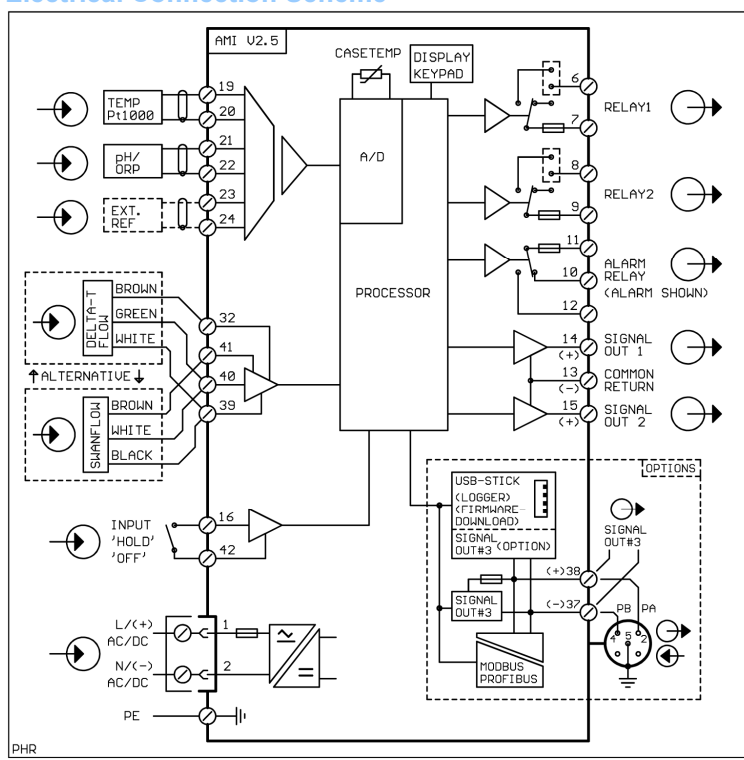
Safety features

No data loss after power failure, all data is saved in non-volatile memory.

Overvoltage protection of in- and outputs.

Galvanic separation of measuring inputs and signal outputs.

Electrical Connection Scheme



Transmitter temperature monitoring
with programmable high/low alarm limits.

1 Alarm relay

One potential free contact for summary alarm indication for programmable alarm values and instrument faults.
Maximum load: 1A / 250 VAC

1 Input

One input for potential-free contact. Programmable hold or remote off function.

2 Relay outputs

Two potential-free contacts programmable as limit switches for measuring values, controllers or timer for system cleaning with automatic hold function.
Rated load: 1A / 250 VAC

2 Signal outputs (3rd as option)

Two programmable signal outputs for measured values (freely scaleable, linear or bilinear) or as continuous control output (control parameters programmable) as current source. 3rd signal output selectable as current source or current sink.

Current loop: 0/4 - 20 mA
Maximum burden: 510 Ω

Control functions

Relays or current outputs programmable for 1 or 2 pulse dosing pumps, solenoid valves or for one motor valve. Programmable P, PI, PID or PD control parameters.

1 Communication interface (option)

- RS485 interface (galvanically separated) with Fieldbus protocol Modbus RTU or Profibus DP
- 3rd Signal output
- USB interface
- HART interface

Monitor Data

Sample conditions

Flow rate: 4 to 15 L/h
Temperature: up to 50 °C
Inlet pressure: up to 1 bar
Outlet pressure: pressure free

Flow cell and connections

Flow cell made of PVC and acrylic glass.
Sample inlet: Hose nozzle 1/4" -10 elbow for 10mm tube
Sample outlet: G 1/2" adapter for flexible tube Ø 20 x 15 mm

Panel

Dimensions: 280 x 850 x 150 mm
Material: white PVC
Total weight: 6.0 kg