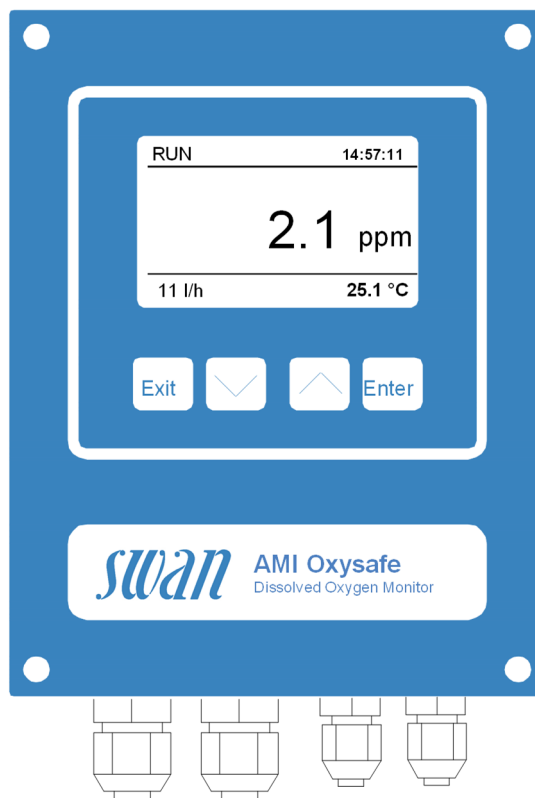


Electronic transmitter & controller for the measurement of the dissolved oxygen in potable or waste water .

### Transmitter AMI Oxysafe

- Measuring and control transmitter in a rugged aluminum enclosure (IP 66).
- Measurement ranges:
  - Dissolved oxygen: 0.01 ppm to 20 ppm
  - Saturation: 0 to 200%
- Connections for an oxygen sensor with integrated Pt1000 temperature probe, e.g. Swansensor Oxysafe1000 and for a SWAN digital sample flow meter (QV-Flow or deltaT-Flow).
- Automatic temperature and air pressure compensation.
- Big backlit LC display for the reading of measuring value, sample temperature, sample flow and operating status.
- Easy user menus in English, German, French and Spanish. Simple programming of all parameters by keypad.
- Electronic record of major process events and calibration data.
- Real-time clock for time stamp in data logs and for automated functions.
- Data logger for 1'500 data records stored at a selectable interval. (Data download to PC requires optional HyperTerminal interface).
- Galvanically separated sensor connection.
- Overvoltage protection for in- and outputs.
- Two current signal outputs (0/4 - 20 mA) for measured signals.
- Potential-free alarm contact as summary alarm indication for programmable alarm values and for instrument faults.
- Two potential-free contacts programmable as limit switch or PID-control.
- Input for potential-free contact to freeze the measuring value or to interrupt control in automated installations (hold function or remote-off).



Order Nr.	Transmitter AMI Oxysafe AC	A-12.411.100
	Transmitter AMI Oxysafe DC	A-12.411.200
Option:	<input type="checkbox"/> 3 <sup>rd</sup> current signal output (0/4 – 20mA)	A-81.420.050
	<input type="checkbox"/> Profibus DP & Modbus RTU interface	A-81.420.020
	<input type="checkbox"/> USB interface	A-81.420.042
	<input type="checkbox"/> HART interface	A-81.420.060

## Dissolved Oxygen Measurement

Dissolved oxygen sensor with integrated Pt1000 temperature sensor, e.g. SS Oxysafe 1000

**Measuring range** 0.01 to 20 ppm  
 0 to 200% saturation

**Resolution** 0.01 ppm  
 0.1% saturation

Automatic temperature and air pressure compensation

**Temperature measurement** with Pt1000  
 Measuring range: -30 to +130 °C  
 Resolution: 0.1 °C

**Sample flow measurement** with digital SWAN sample flow sensor.

## Transmitter Specifications and Functionality

Electronics case: Cast aluminum  
 Protection degree: IP 66 / NEMA 4X  
 Display: backlit LCD, 75 x 45 mm  
 Electrical connectors: screw clamps  
 Dimensions: 180 x 140 x 70 mm  
 Weight: 1.5 kg  
 Ambient temperature: -10 to +50 °C  
 Humidity: 10 to 90 % rel., non cond.

**Power supply**  
 Voltage:  
 AC version: 100 - 240 VAC (± 10 %),  
 50/60 Hz (± 5 %)  
 DC version: 10-36 VDC  
 Power consumption: max. 35 VA

**Operation**  
 Easy operation based on separate menus for "Messages", "Diagnostics", "Maintenance", "Operation" and "Installation".

User menus in English, German, French and Spanish.

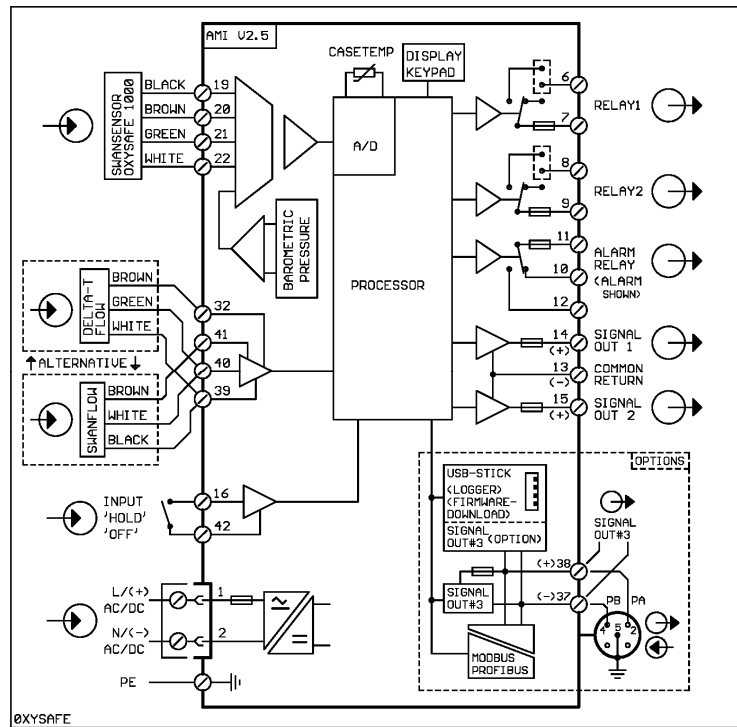
Separate menu specific password protection.

Display of process value, sample flow, alarm status and time during operation.

Storage of event log, alarm log and calibration history.

Storage of the last 1'500 data records in logger with selectable time interval.

## Electrical Connection Scheme



### Real-time clock with calendar

For action time stamp and preprogrammed actions.

### Safety features

No data loss after power failure, all data is saved in non-volatile memory.  
 Overvoltage protection of in- and outputs.  
 Galvanic separation of measuring inputs and signal outputs.

**Transmitter temperature monitoring** with programmable high/low alarm limits.

### 1 Alarm relay

One potential free contact for summary alarm indication for programmable alarm values and instrument errors.  
 Maximum load: 1A / 250 VAC

### 1 Input

One input for potential-free contact.  
 Programmable hold or remote off function.

### 2 Relay outputs

Two potential-free contacts programmable as limit switches for measuring values, controllers or timer for system cleaning with automatic hold function.  
 Rated load: 1A / 250 VAC

### 2 Signal outputs (3<sup>rd</sup> as option)

Two programmable signal outputs for measured values (freely scalable, linear or bilinear) or as continuous control outputs (control parameters programmable) as current source. 3<sup>rd</sup> signal output selectable as current source or current sink.  
 Current loop: 0/4 - 20 mA  
 Maximum burden: 510 Ω

### Control functions

Relays or current outputs programmable for 1 or 2 pulse dosing pumps, solenoid valves or for one motor valve.  
 Programmable P, PI, PID or PD control parameters.

### 1 Communication interface (option)

- RS485 interface (galvanically separated) with Fieldbus protocol Modbus RTU or Profibus DP
- 3<sup>rd</sup> Signal output
- USB interface
- HART interface