

Verification Kit Turbiwell Liquid

A-85.153.000

swan
Analytical Instruments

SWAN ANALYTISCHE INSTRUMENTE AG, CH-8340 Hinwil
TEL. +41 44 943 63 00, FAX +41 44 943 63 01 e-mail swan@swan.ch

Introduction

The Verification Kit Turbiwell Liquid can be filled with any aqueous suspension or emulsion, provided that the suspension or emulsion is compatible with the materials used.

Housing: PET
Windows: PMMA
Screw plugs: PVDF

NOTICE: *The Verification Kit Turbiwell Liquid is suitable for verification, but not for calibration!*

Warning: Please observe the necessary safety precautions when handling hazardous chemicals. **Read the Safety Data Sheets carefully!**

Requirements

The Verification Kit Turbiwell Liquid requires firmware V6.21 or higher.

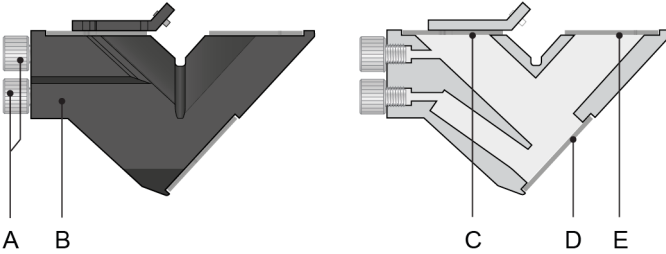
Matching and Verification

To perform a verification using the Verification Kit Turbiwell Liquid, the following steps are necessary:

1. Fill the cuvette according to the instructions below.
2. Match the verification kit with the latest calibration:
 - ◆ Select <Maintenance>/<Matching>/<Liquid Verikit> to start the matching procedure. Follow the instructions on the screen.
3. After the verification kit has been matched, it can be used for a periodical verification

Also refer to the corresponding chapters of the AMI Turbiwell manual.

Filling the Verification Kit Turbiwell Liquid



A Screw plugs
B Cuvette

C, D and E Windows

To fill the cuvette, proceed as follows:

1. Unscrew both screw plugs [A].
2. Fill 13.5 to 14 g of the standard into the cuvette through one of the openings.

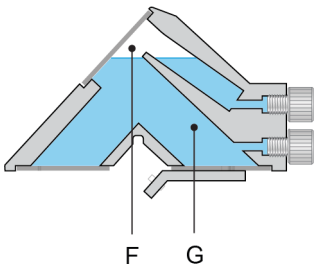
NOTICE: The cuvette must not be completely filled with liquid, otherwise it may be damaged by overpressure if the temperature rises.

3. Close the cuvette with the two screw plugs.

Preparation before use

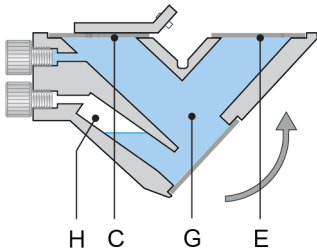
Before inserting the verification kit into the measuring chamber, perform the following steps:

4. Shake to obtain a homogeneous mixture.
5. Place the cuvette as shown below. Tap against the cuvette to let all air rise to the top.



F Air bubble
G Standard

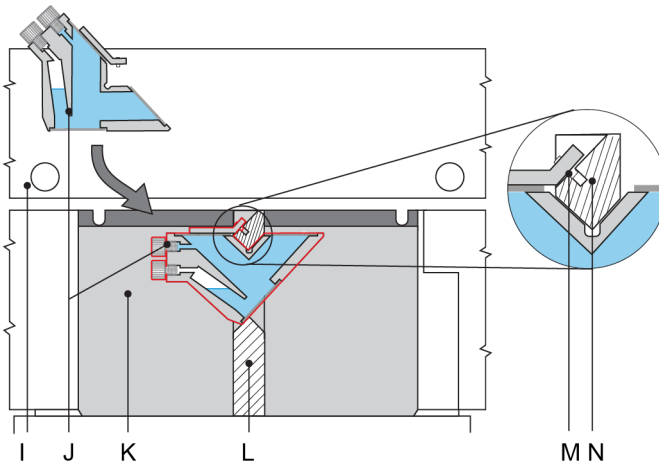
6. Turn the cuvette counterclockwise.
7. Make sure that all air is in position [H] and that there are no air bubbles on the windows [C], [E].



C, E Windows
G Standard
H Air bubble

Insertion into the measuring chamber

8. Insert and fix the verification kit in the measuring chamber as shown below.



I Cover
J Verification kit
K Measuring chamber
L Barrier
M Fixing plate with cylindrical pin
N Hole

Refilling

Before refilling, fill the cuvette with water and shake well to remove all residues. After each refill, the matching procedure must be repeated.