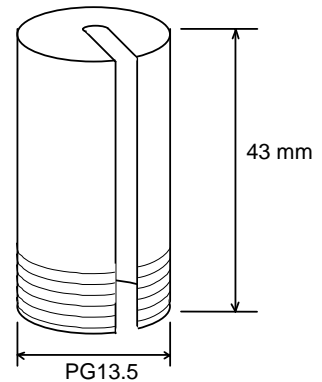


Sensor adapter PG 13.5 for Sensors without thread.

Sensor adapter PG 13.5

Adapter for 12mm sensors (Sensorhead 16mm) without PG13.5 thread (e.g. Swansensor RC4, Shurecon P).



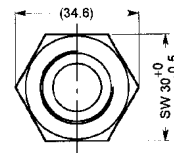
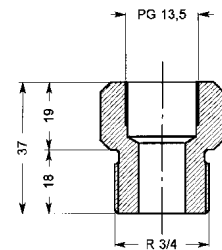
Order number	Sensor adapter PG 13.5	A-83.910.020
---------------------	-------------------------------	---------------------

Bushing for the mounting of Sensors with PG 13.5 in tubes with R 3/4" thread.

T-fit PG13.5 - R3/4

Made of chemically and mechanically resistant PVDF.

Applicable with PAM LF400 or FAM Unicon 4, or PAM/FAM pH/Redox°C.



Technical data:

Material: PVDF
Temperature: -10 90 °C
Pressure: max. 6 bar at 25°C
Connection: 3/4" thread

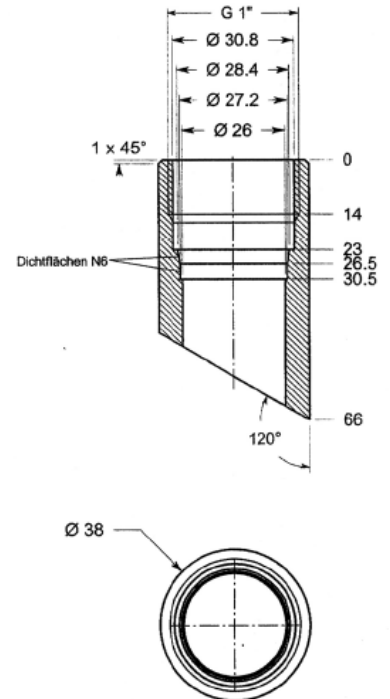
Delivery includes: T-fit PG13.5 - R3/4

Order number	T-fit PG13.5 - R3/4	A-83.910.080
---------------------	----------------------------	---------------------

Welding connector with G1" thread for Swansensor Shurecon S

Welding Connector G1"

Material: stainless steel 1.4435
Thread: G1"
Diameter: Ø 38mm
Length: 55mm
Angle: 60°



Bestellnummer	Einschweisstützen G1"	A-83.910.110
----------------------	------------------------------	---------------------