

Relay box for the direct power supply of dosing devices which are controlled with an AMI transmitter.

## AMI Relaybox

Optional electronics box with two power relays for AMI transmitters with maximum two connected dosing devices.

The Relaybox is installed in between the AMI transmitter and the dosing devices. It's used for the direct power supply of dosing devices which are controlled through the AMI transmitter. This connection type is necessary for dosing devices without an analog input. It's possible to connect two solenoid valves or one motor valve for disinfectant additions.

The Relaybox protects the AMI transmitter electronics from short power and current peaks which occur when dosing devices are switched on and off. Without installation of this additional protection the relays inside the AMI transmitter might get damaged.

Directly mountable on all AMI monitor panels.

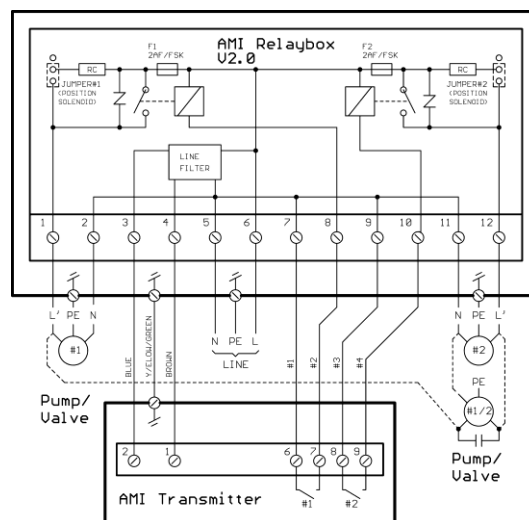
### Technical data:

Power rating: 220 - 240 ( $\pm 10\%$ ),  
50/60 Hz ( $\pm 5\%$ )  
Two relays: max. load 1 A / 230 VAC  
Dimensions: 125 x 80 x 60 mm  
Panel mounting: 2 screws M4  
Cable glands: 2 x PG 7, 3 x PG 9

### Delivery includes:

Relaybox with connection cables to AMI power supply and to AMI transmitter relays, set of replacement fuses and mounting screws for AMI panel.

### Electrical Connection Scheme



Important: Electrical connections of Print V1.0 is different and not compatible. See manual regarding electrical connection.

Order scheme	AMI Relaybox	A - 89.812.100
--------------	--------------	----------------

Recommended spare parts: A-89.811.070 Fuse set for AMI Relaybox